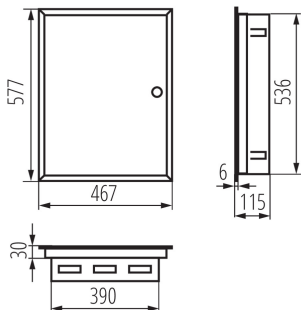


## 29321 KP-DB-I-MF-318

Metal distribution board

5905339293213



Metal Consumer Units with DIN rails for modular installation are manufactured at the Kanlux Factory. They are designed for public and office buildings. Their scope allows you to carry out installations also in areas such as extensive residential installations.

### GENERAL DATA:

**Colour:** white

**Door colour:** white

**Place of assembly:** Recessed mount in the wall

**Norm:** PN-EN 62208

**Length [mm]:** 467

**Width [mm]:** 115

**Height [mm]:** 578

### TECHNICAL DATA:

**Rated voltage [V]:** 230/400 AC

**Rated current [A]:** 63

**Rated frequency [Hz]:** 50

**Class of protection against electric shock :** I

**Material:** steel

**Number of modules:** 3x18P

**IP class:** 30

**number of rows:** 3

### LOGISTIC DATA:

**Unit of measurement:** unit

**Packaging method:** 1

**Number of units in the secondary packaging :** 1

**Number of units in the packaging :** 1

**Net unit weight [g]:** 6220

**Grammage [g]:** 6670

**Length of a unit pack [cm]:** 62

**Width of a unit pack [cm]:** 53

**Height of a unit pack [cm]:** 12

**Weight of a cardboard box [kg]:** 6.67

**Width of a cardboard box [cm]:** 53

**Height of a cardboard box [cm]:** 12

**Length of a cardboard box [cm]:** 62

**Volume of a cardboard box [m<sup>3</sup>]:** 0.039432